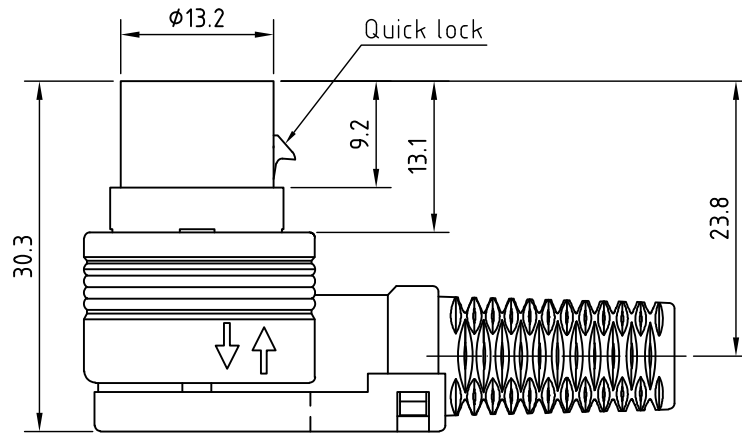
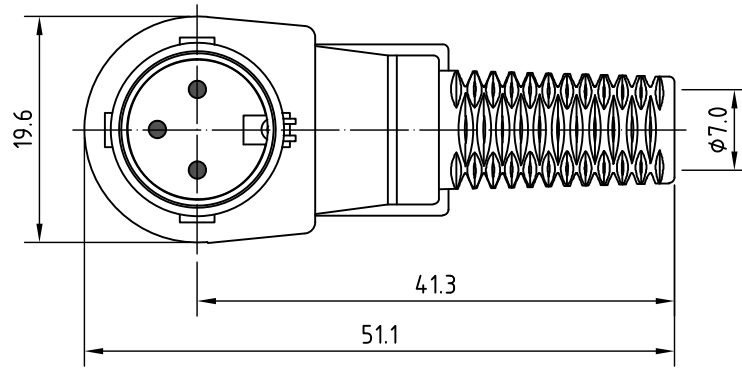


REV.	Description	Date
1	upgrade drawing	2012/11/15



Specification:

1. Contact resistance: 20mΩ max.
2. Dielectric strength: 800V AC / 1 minute
3. Insulation resistance: 100MΩ min. at 500V DC
4. Rating: 100V AC 2A max.

RoHS

TOLERANCE X±0.5 X.X±0.3

9	Plastic trail	PVC	
8	Plastic back	ABS	
7	Inside body	ABS	
6	Outside body	ABS	
5	Clip apparatus	Brass	Nickel plated
4	Cover B	Brass	Nickel plated
3	Cover A	Brass	Nickel plated
2	Terminal	Brass	Silver plated
1	Plastic core	Nylon	
Item	Description	Material	Treat & Remark

CONTACT ARRANGEMENT FRONT VIEW (MALE)	3P	4P	5AP	5BP	5CP	6P	7P	8AP	8BP



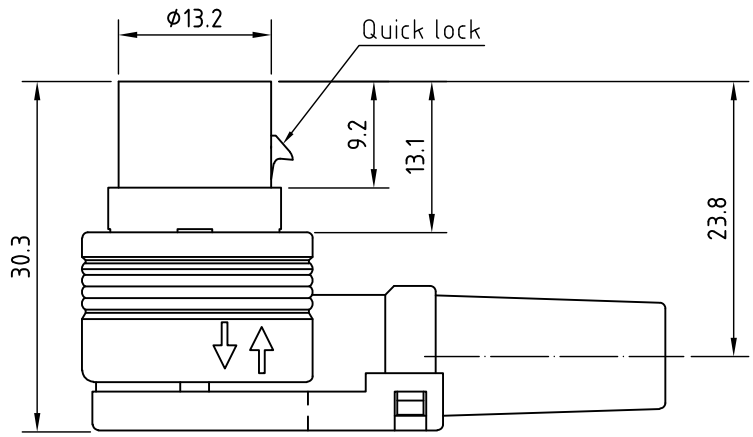
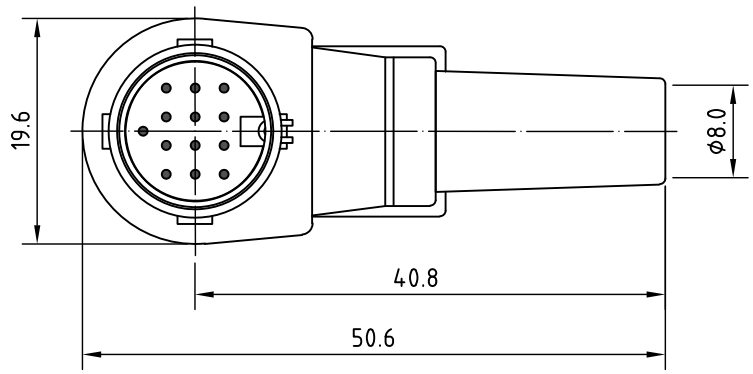
Unicable Co., Ltd. 國陽電業有限公司

5F., No. 111-33, Sec. 4, San Ho Road, San Chung City, Taiwan, R.O.C.

http://www.unicable.com.tw TEL:+886-2-2286-2122 FAX:+886-2-2286-1010

DATE	2016/10/7	PART NO.	UT-L992-XP
DWN	GINA	REV.	1
CHK			
ITEM	Push Lock Din Connector Field Assembled Cable	UNIT	MM

REV.	Description	Date
1	upgrade drawing	2012/11/15



Specification:

1. Contact resistance: 20mΩ max.
2. Dielectric strength: 800V AC / 1 minute
3. Insulation resistance: 100MΩ min. at 500V DC
4. Rating: 100V AC 2A max.

9	Plastic trail	PVC	
8	Plastic back	ABS	
7	Inside body	ABS	
6	Outside body	ABS	
5	Clip apparatus	Brass	Nickel plated
4	Cover B	Brass	Nickel plated
3	Cover A	Brass	Nickel plated
2	Terminal	Brass	Silver plated
1	Plastic core	Nylon	
Item	Description	Material	Treat & Remark

RoHS
TOLERANCE X±0.5 X.X±0.3



Unicable Co., Ltd. 國陽電業有限公司
5F., No. 111-33, Sec. 4, San Ho Road, San Chung City, Taiwan, R.O.C.
<http://www.unicable.com.tw> TEL:+886-2-2286-2122 FAX:+886-2-2286-1010

DATE	2016/10/7	PART NO.	UT-L992-13P
DWN	GINA	REV.	1
CHK			
UNIT	MM		

ITEM Push Lock Din Connector Field Assembled Cable